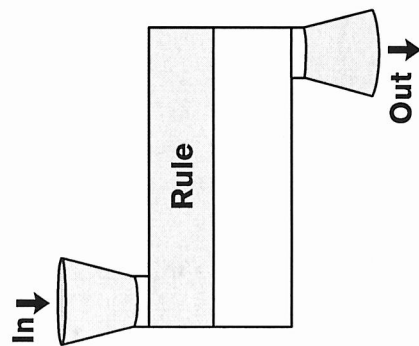
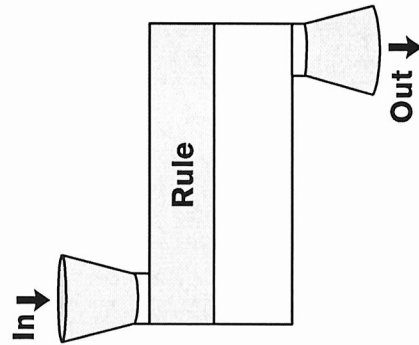


Function Machines 1

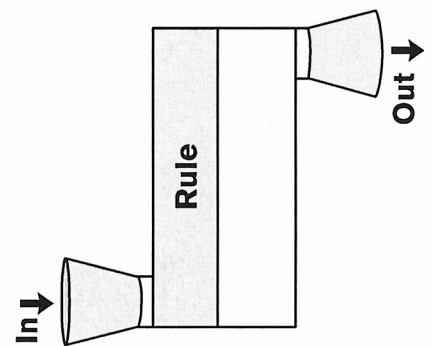
In	Out
2	4
3	6
5	10
10	20
20	40
100	200



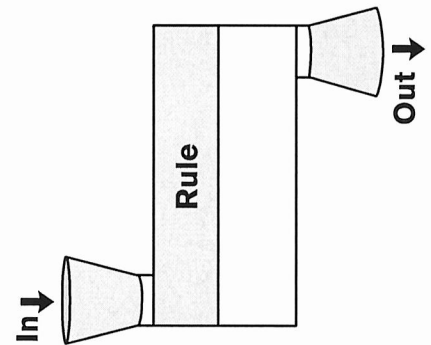
In	Out
6	2
8	4
10	6
14	10
20	



In	Out
1	6
15	20
4	9
30	
22	
	58

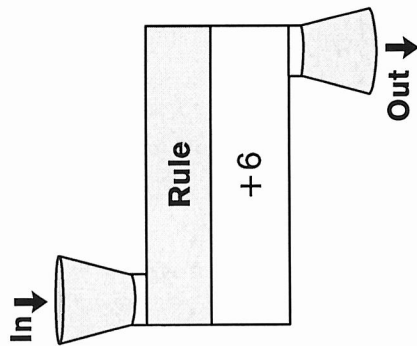


In	Out
10	5
14	7
24	12
	6
	20
	300

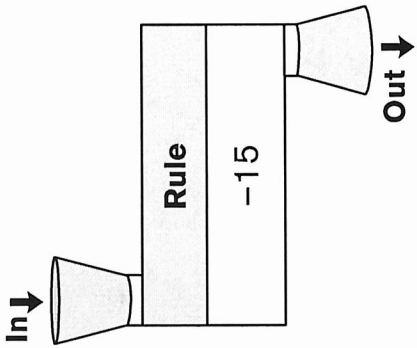


Function Machines 1

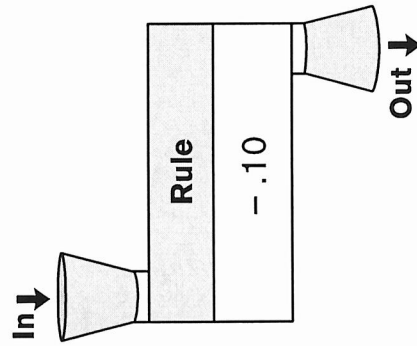
In	Out
2	8
3	
5	
10	20
	100



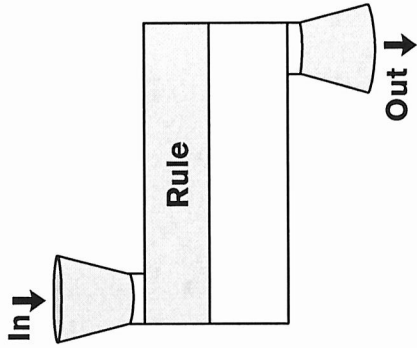
In	Out
60	45
80	
15	
115	115
	26



In	Out
.50	
.65	
1	
1.2	5
	6.25

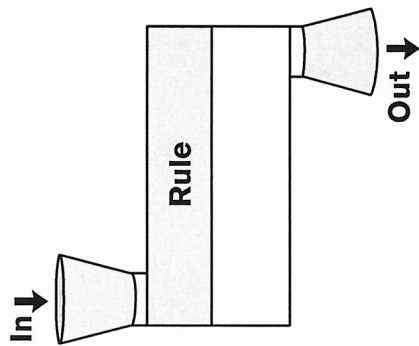


In	Out
6	8.25
1.50	3.75
5	
10.75	21.25
	30

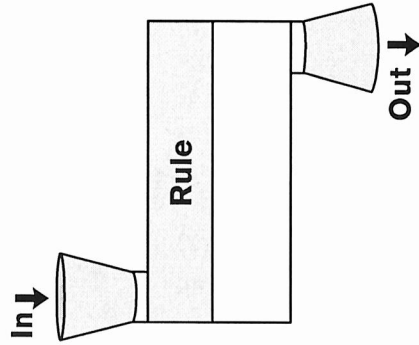


Function Machines 2

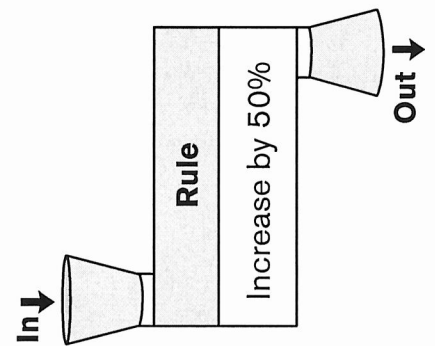
In	Out
16	8
10	2
20	
	100
	0
	95



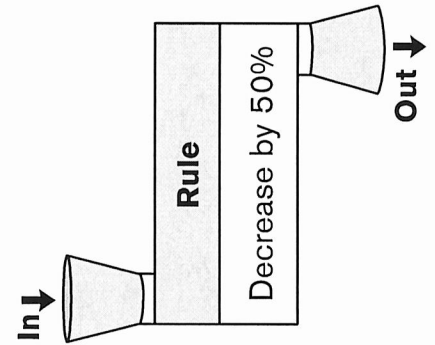
In	Out
10	40
2	8
6	
	60
	36
	320



In	Out
10	
16	
20	6
	75
	36

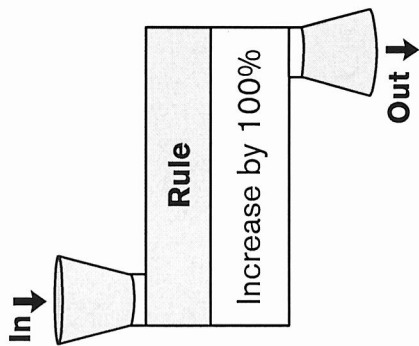


In	Out
4	
12	
16	
	24
	50
	100

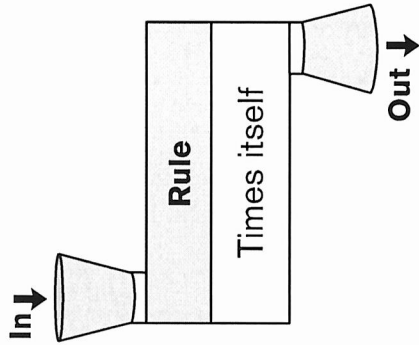


Function Machines 2

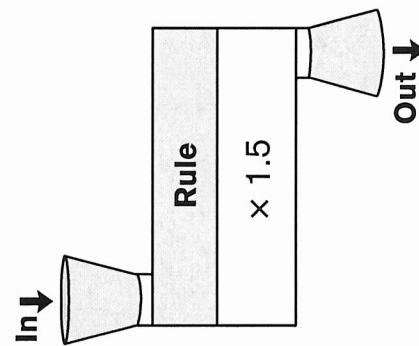
In	Out
1	
4	
12	15
	2.6
	170



In	Out
1	
2	
5	36
	64
	289



In	Out
1	
2	
3	
10	7.50
	16.50



In	Out
1	
2	
3	
10	
40	18

